

# medisun<sup>®</sup> 2800 Innovation

PROFESSIONAL FULL-BODY PHOTOTHERAPY



The innovative UV therapy  
device for treatment of all  
UV-sensitive skin diseases

# medisun® 2800 Innovation

## PROFESSIONAL FULL-BODY PHOTOTHERAPY

The medisun® 2800 Innovation is a UV therapy device for treatment of all UV-sensitive skin diseases. Operation and control take place through a touch screen panel PC which is integrated into the door module. UVA, UVB<sub>311</sub>, or a combined exposure is possible.

The patients will stand in the middle of the UV cabin during treatment. The UV lamps are equally arranged all around, ensuring homogeneous dosage. The door can be installed on the left or right as desired.



- 20, 24, 28, 44 or 48 UV-lamps at 100 W each
- UVB<sub>311</sub>, (P)UVA-, UVA1, or combined spectrum
- Integrated PC-control with large 10.4" colour touch screen
- Dosage control with dosage preselection in J/cm<sup>2</sup>
- 2-fold patient ventilation system
- 4 UV-sensors for redundant permanent measurement
- Remote network control, e.g. from the reception desk
- Ambience illumination with colour control (optional)
- Optimised lamp ventilation system
- Low space requirement
- Acrylic protection panels in front of the lamps
- Pause function when opening the door
- Visual patient monitoring (by window or mirror)
- Door hinge possible on the right or left
- 2 handles for patients
- Sturdy metal casing with plastic coating
- Various color variations

medisun® 2800 Innovation,  
XXL-version



Product video under  
[www.medisun.de/en](http://www.medisun.de/en)

## EFFECTIVE TREATMENT OF PSORIASIS, NEURODERMATITIS, VITILIGO AND OTHER SKIN DISEASES

The medisun® 2800 Innovation permits safe and efficient treatment of the entire body with comfortable operation. Treatment is performed comfortably while standing, either in the standard version with the interior size of 72 x 72 cm or in the XXL version of at 90 x 90 cm.



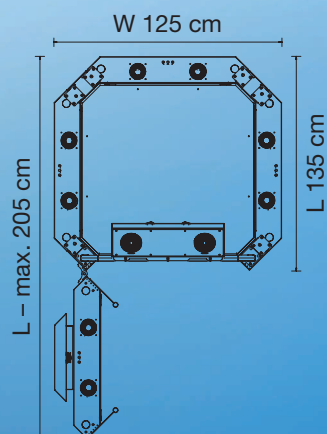
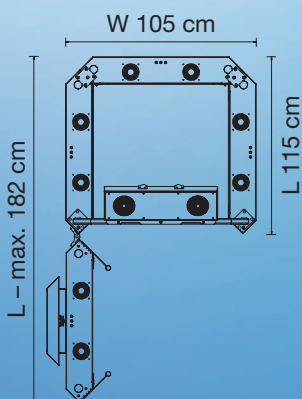
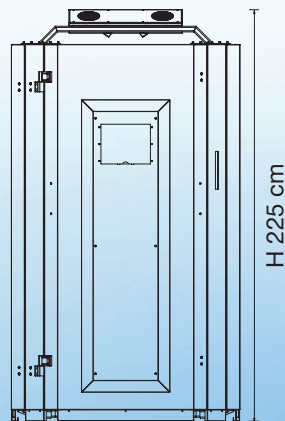
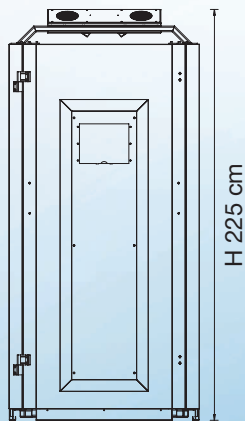
## SHORT EXPOSURE TIMES

The high UV intensity of the medisun high-performance lamps ensure short exposure times. The scope of delivery includes 5 patient UV protection goggles and one large staff UV goggle.



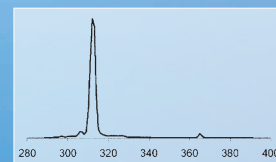
**Standard Version**

**XXL-version**

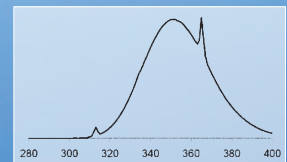


## INDICATIONS

- Psoriasis
- Atopic dermatosis
- Vitiligo
- PUVA therapy
- Polymorphous light dermatosis (PLD)



UVB<sub>311</sub>



UVA

# medisun® 2800 Innovation, XXL-version

## INDIVIDUAL COLOUR ACCENTS FOR YOUR PRACTICE

The medisun® 2800 Innovation can be ordered in your preferred colour combinations from now on!

For more information, see [medisun.de](http://medisun.de)



## TECHNICAL DATA

|                         | DESCRIPTION   |               |
|-------------------------|---|---------------|
| <b>DIMENSIONS</b>       | W 105 cm x L 115 cm x H 225 cm (standard), inner sizes 72 x 72 cm<br>W 125 cm x L 135 cm x H 225 cm (XXL), inner sizes 90 x 90 cm |               |
| <b>OUTPUT</b>           | 2.5 to 5.0 kW   |               |
| <b>WEIGHT</b>           | 320 to 400 kg   |               |
| <b>MAINS CONNECTION</b> | 400 V / 3 x 16 A or 230 V / 1 x 32 A (44 lamps)<br>230 V / 1 x 16 A (up to 28 lamps)  |               |
| <b>VERSIONS</b>         | 24 A (UVA-Mono, 24-UV-lamps, Touch-PC, 230 V)   | Item no. 1802 |
|                         | 20 B (UVB <sub>311</sub> -Mono, 20-UV-lamps, Touch-PC, 230 V)   | Item no. 1710 |
|                         | 28 AB (UVA-/UVB <sub>311</sub> , 28-UV-Lampen, Touch-PC, 230 V)   | Item no. 1706 |
|                         | 44 A (UVA-Mono, 44-UV-lamps, Touch-PC, 400 V or 230 V)  | Item no. 7775 |
|                         | 44 B (UVB <sub>311</sub> -Mono, 44-UV-lamps, Touch-PC, 400 V or 230 V)  | Item no. 7776 |
|                         | 44 AB (UVA/UVB <sub>311</sub> , 44-UV-lamps, Touch-PC, 400 V or 230 V)  | Item no. 7777 |
|                         | 44 A XXL (UVA-Mono, 44-UV-lamps, Touch-PC, 400 V or 230 V)  | Item no. 7907 |
|                         | 44 B XXL (UVB <sub>311</sub> -Mono, 44-UV-lamps, Touch-PC, 400 V or 230 V)  | Item no. 7908 |
|                         | 44 AB XXL (UVA/UVB <sub>311</sub> , 44-UV-lamps, Touch-PC, 400 V or 230 V)  | Item no. 7909 |
| <b>OPTIONAL</b>         | Permanent-UV-measurement (4 sensors)<br>Medisoft therapy management package   |               |
| <b>CERTIFICATION</b>    | CE 0197   |               |
| <b>WEEE-REG.-NO.</b>    | DE 91065138   |               |

Technical changes reserved.